

# Introduction of DNS test suite

---

Nobumichi.Ozoe@jp.yokogawa.com

TAHI Project

# Goal

---

- The specification is clarified.
  - The interoperability can be done more.
-

# Activity

---

- Write test specification based on RFCs
    - Server and Client
    - If we have a question about spec, then we have been asked IETF or bind mailing list.
  - Developing Test Tool
    - Server and Client
-

# DNS test coverage

---

## □ Basic

- RFC1034 DOMAIN NAMES - CONCEPTS AND FACILITIES
  - RFC1035 DOMAIN NAMES - IMPLEMENTATION AND SPECIFICATION
  - RFC1123 Requirements for Internet Hosts -- Application and Support
  - RFC1995 Incremental Zone Transfer in DNS
  - RFC1996 A Mechanism for Prompt Notification of Zone Changes (DNS NOTIFY)
  - RFC2131 Clarifications to the DNS Specification
  - RFC2308 Negative Caching of DNS Queries (DNS NCACHE)
  - RFC3425 Obsoleting IQUERY
-

# DNS test coverage

---

## □ Extension

- RFC2671 Extension Mechanisms for DNS (EDNS0)
  - RFC2782A DNS RR for specifying the location of services (DNS SRV)
  - RFC3401 Dynamic Delegation Discovery System (DDDS) Part One: The Comprehensive DDDS
  - RFC3402 Dynamic Delegation Discovery System (DDDS) Part Two: The Algorithm
  - RFC3403 Dynamic Delegation Discovery System (DDDS) Part Three: The Domain Name System (DNS) Database
  - RFC3404 Dynamic Delegation Discovery System (DDDS) Part Four: The Uniform Resource Identifiers (URI) Resolution Application
  - RFC3405 Dynamic Delegation Discovery System (DDDS) Part Five: URI.ARPA Assignment Procedures
  - RFC3596 DNS Extensions to Support IP Version 6
  - RFC4033 Security Introduction and Requirements
  - RFC4034 Resource Records for the DNS Security Extensions
  - RFC4035 Protocol Modifications for the DNS Security Extensions
-

# Conformance test tool

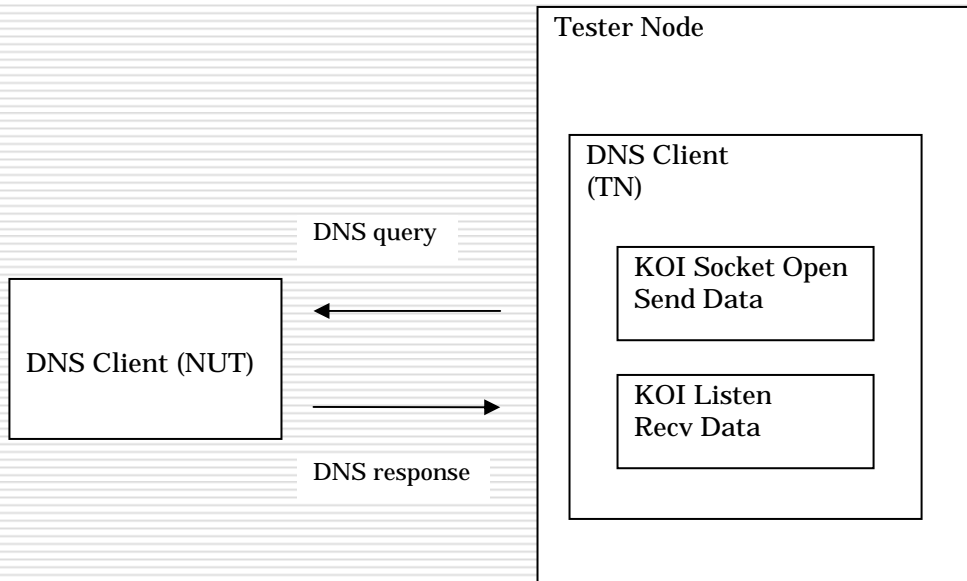
---

- Platform
    - KOI
  - Test Scripts
    - Perl
    - Text Format
-

# Basic Transaction

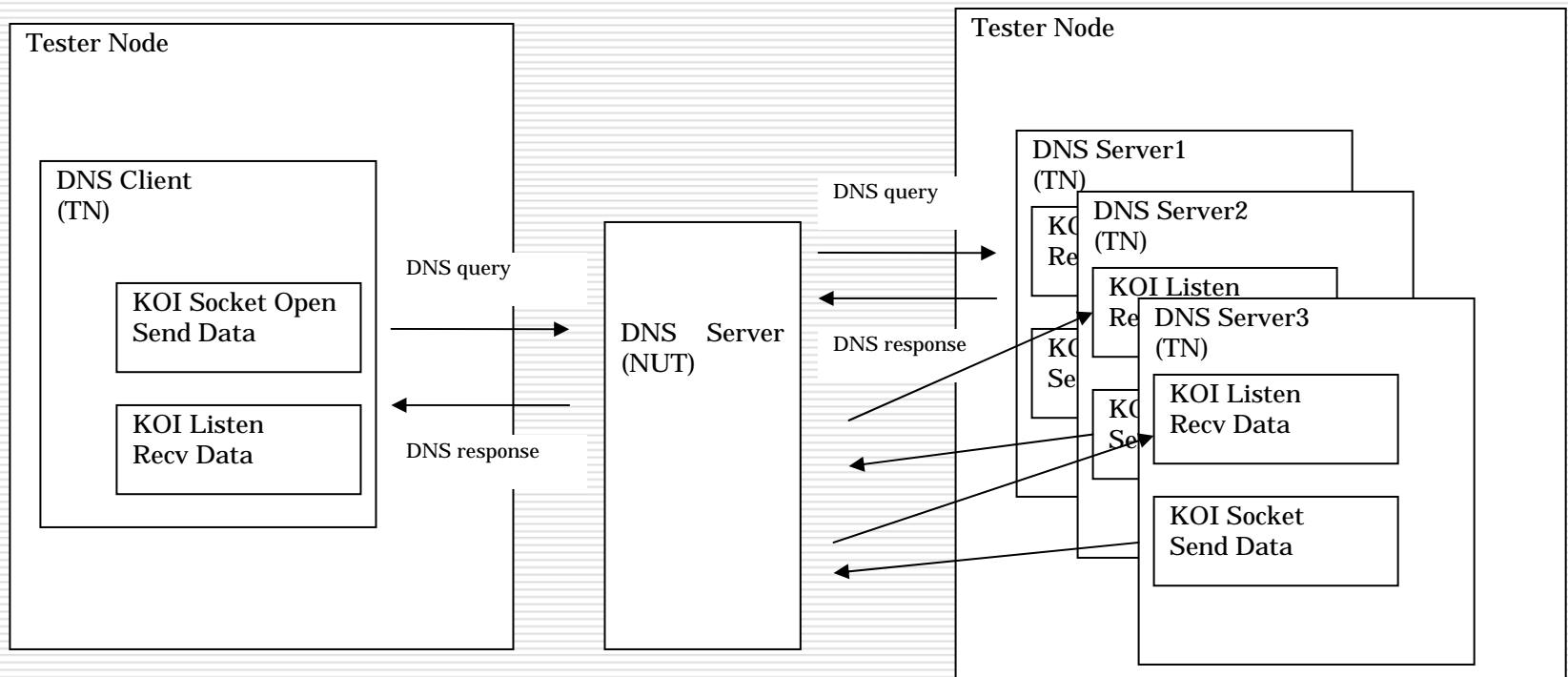
---

## □ Client test case



# Basic Transaction

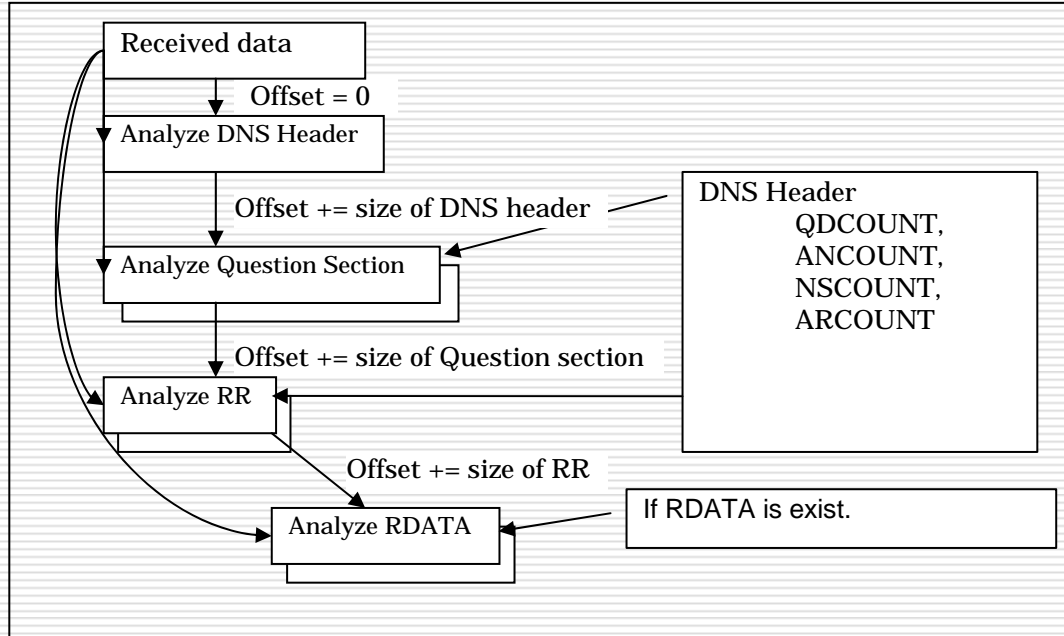
## □ Sever test case





# Data Analyze

---



# Information

---

- ❑ We will soon release new version.
  - ❑ You can download freely.
    - <http://www.tahi.org/dns/>
  - ❑ Please give a comment.
  - ❑ Discussion point
    - [dnstest@tahi.org](mailto:dnstest@tahi.org)
    - Please subscribe
-

# END

